

## **<4K to 1000K Closed Cycle Cryostat Nanometer Displacement Low Vibration Interface**

905 Harrison Street  
Suite 134  
Allentown, PA 18103  
Phone/Fax: 610-628-6363

### **Optical, Non-optical, UHV and Microscope Interfaces**

- Vibration dampening interface which provides <10 nanometer displacement at sample.
- Interface is compatible with a wide range of Pulse Tube and GM closed cycle coolers so that the temperature range and cooling capacity that best meets the experiments requirements can be used.
- Modular design allows easily interchangeable vacuum enclosures for multiple applications.
- Compatible with ColdEdge's 1000K high temperature interface for wide temperature range.
- High performance gas gap heat exchange design. 80% of cryocoolers cooling capacity is utilized.



### **Optical Spectroscopy**

### **Applications**

- Microscope
- UHV
- Mossbauer
- MEMS Characterization
- Micro Raman
- Low Vibration
- Quantum Dot
- SEM



### **Microscope Interfaces**

**<4K to 1000K Closed Cycle Cryostat  
Nanometer Displacement Low Vibration Interface**

905 Harrison Street  
Suite 134  
Allentown, PA 18103  
Phone/Fax: 610-628-6363

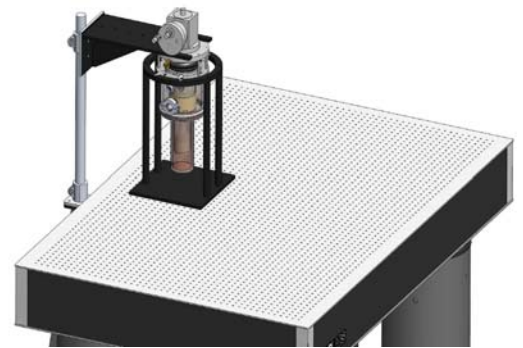
Optical, Non-optical, UHV and Microscope Interfaces Available



**MEMS Testing**



**Typical setup on  
Low Vibration table**



**UHV Interfaces**

